

Bluebeam® PDF Revu™

SolidWorks Edition

Complete PDF Creation, Viewing, Markup and Editing for CAD, Office, and Tablet Users

Bluebeam PDF Revu SolidWorks Edition combines the accuracy of Bluebeam's file creation technology with an intuitive viewing, markup and editing tool. Expedite the review and approval process between project team members or clients with Bluebeam's complete solution. Our tools are powerful yet simple to use and offer the flexibility you need to work efficiently.

The tools you need,



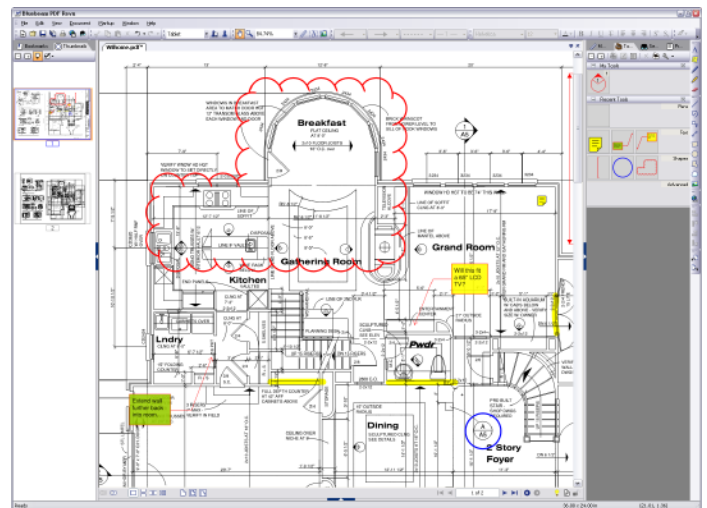
With Bluebeam Revu, you won't waste time searching for markup tools buried in menus. Our markup tools are displayed in the toolbar so you can simply click an icon to add shapes, lines, highlights, text, notes, and much more. We offer a complete toolset for professionals to electronically review documents or designs while saving time and eliminating frustration.

to simplify your life.

Navigate. Effortlessly navigate around PDFs with tabs, thumbnails, bookmarks, and split-view options. **Markup.**

Bluebeam also makes it easy to markup your PDF with a pen, highlighter, text box, callout, note, square, circle, cloud and more. **Customize.** Group and manage your markups together or customize the color, line thickness, font, opacity, or style with ease directly from the toolbar. You can even create custom tools and annotations while you work and save your favorites in your own tool sets. **Edit.** Easily edit PDFs with a few clicks of your mouse - reorder, delete, insert,

extract or replace pages directly through the thumbnail panel. Need more space? Insert blank or grid pages into your document for notes or sketches. **Share.** Use the markup list table to track, import, or export your own or another person's markups to quickly share comments and ideas. Collaborating and sharing your **PDF files** has never been this easy.



Includes Tablet PC Compatibility

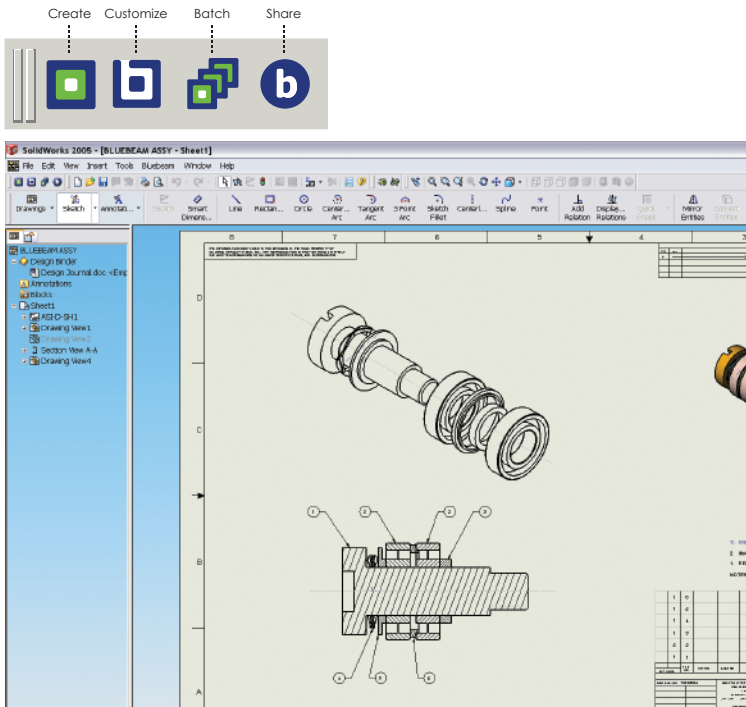
Bluebeam Revu includes features specifically designed for Tablet OS users who are looking for a quick and easy way to review and annotate PDF files with the ease of their Tablet pen.

Markup
Created
Edit

Bluebeam® PDF Revu™

SolidWorks Edition

Create PDF files with the click of a button.



Bluebeam PDF Revu adds buttons to your SolidWorks toolbar.

Pricing

No. of Seats Purchased	Price per Seat	Optional Annual Maintenance*	Software & Maintenance
1-4	\$199	\$60	\$259
5-9	\$159	\$48	\$207
10-24	\$129	\$39	\$168
25-49	\$99	\$30	\$129
50-99	\$89	\$27	\$116
100-199	\$79	\$24	\$103
200-349	\$69	\$21	\$90
350-499	\$59	\$18	\$77
500-999	\$49	\$15	\$64
1000+	\$39	\$12	\$51

*The Bluebeam maintenance program is optional, it includes free minor and major upgrades plus phone and e-mail support for a year.

SolidWorks®

- Convert SolidWorks files to 10 formats with the click of a button
- Create batches of files from SolidWorks drawings
- Convert DWG files to 10 formats including PDF, TIFF, JPEG, BMP, GIF, PSD, PNG, EMG, WMF, and PCL
- Select Custom and Global settings to customize files
- Bind multiple files into a single PDF with Bluebeam Stapler
- Create smart PDFs containing bookmarks, security, hyperlinks and file properties
- Add custom stamps and file attachments to PDFs
- Create and share PDFs in one step with Bluebeam Express

Microsoft® Office

Bluebeam PDF Revu AutoCAD Edition includes advanced PDF creation tools for Microsoft Office applications (Word, Excel, and PowerPoint). Convert documents with the click of a button, add PDF stamps, bookmarks, file attachments, security, transfer hyperlinks, and more. The Bluebeam PDF Printer allows you to convert any Windows file to 10 file formats.

Create PDF Change setting Share PDF



Bluebeam Conversion Server™

Bluebeam offers accurate file conversion in a centrally managed server product. Bluebeam Conversion Server offers three interfaces: watched folders, network PDF printer and API. Call Bluebeam sales for more information or to schedule a demo.

